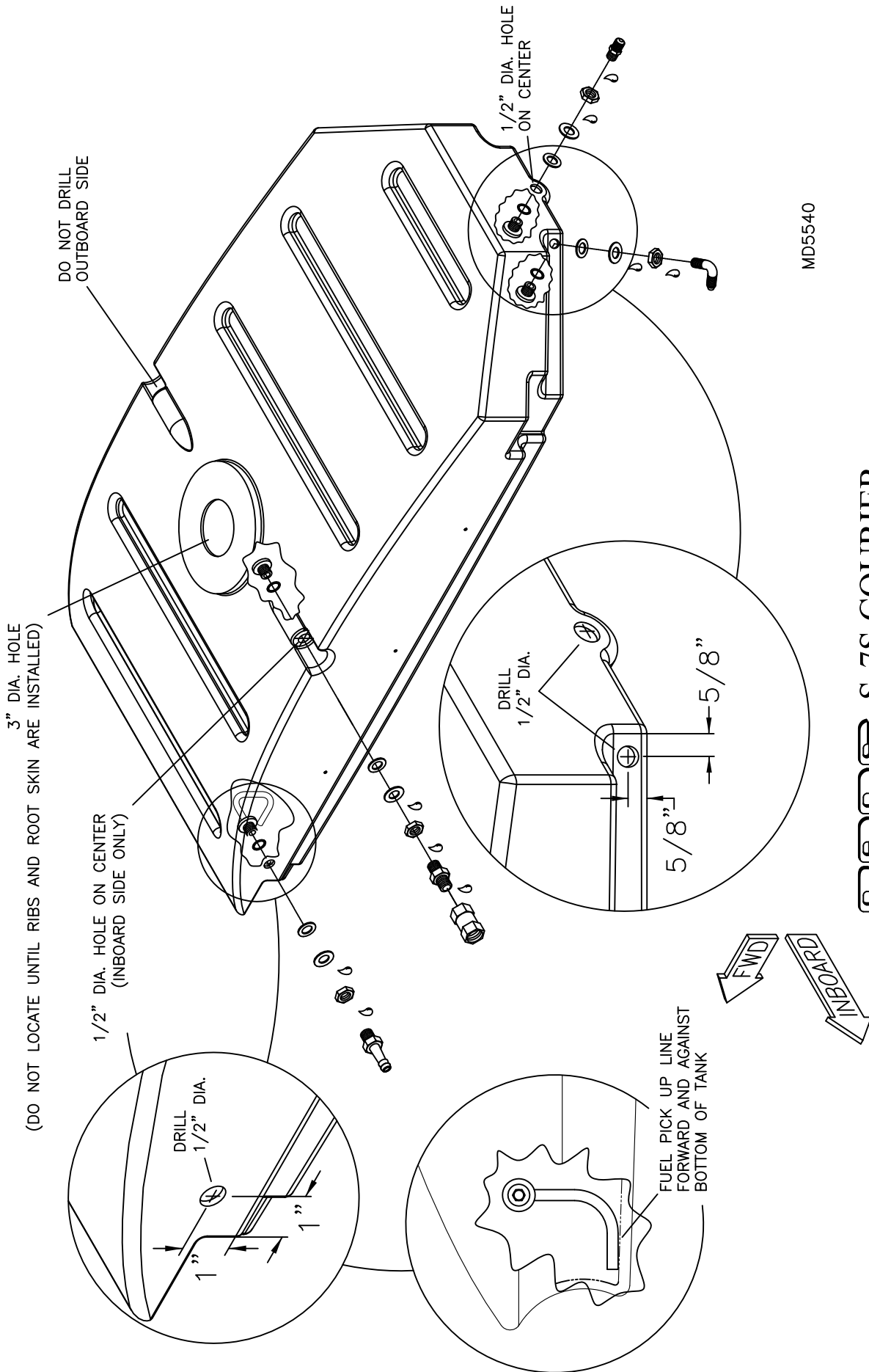


#	DESCRIPTION	PART NUMBER	QUANTITY
1.	13 Gallon Fuel System Retro-Fit Kit DVD	KPAC0243	1
2.	13 Gallon Fuel Tank	KPFS0092	2
3.	Inner/Outer Compression Tube	WC-IO	2
4.	Fuel Sight Gauge Decal	KPPL0025	1
5.	Cover Plate - Tank Retro-Fit Kit *	KPWI0584	1
6.	Fuel tank Retro-Fit - Patch *	KPWI0585	1
7.	Clear Fuel Line - 1/4"	KSFS0008	18 in
8.	Black Fuel Line - 1/4"	KSFS0002	5 ft
9.	3/16" Loc Nut	AN364-1032C	10
10.	1/8" NPT Nipple	KSAC0032	2
11.	90 Withdrawal Fitting	8342	6
12.	45 Degree Fitting	MS33782-6-6	2
13.	Elbow - Internal Thread	AN916-1D	2
14.	Nut - Flared Tube Bulkhead	AN924-5D	8
15.	Hose Clamp	5-6203	2
16.	3/32" Aluminum Rivet	40APR1/8	46
17.	1/8" Aluminum Rivet - Avex	1691-0410	60
18.	3/16" Truss head Screw	MS24694-S53	10
19.	1/2" Thick Washer	AN960-816	8
20.	Thread Sealant **	-----	0
21.	Tank Withdrawal Fitting	KPFS0017	6
22.	Fuel Vent	KPFS0101	2
23.	Fuel Scupper	KPWI0615	2
24.	Retainer	KPWI0614	2
25.	O-Ring	KSFS0009	8
26.	Rubber Washer	KSFS0010	8
27.	Loctite Blue **	-----	0
28.	Fuel Cap Assembly - Flush	KSFS0035	2
29.	Capture Ring	KPWI0547	2
30.	Hose Clamp	5-6202	10
31.	Rubber Edging	X1011	37 in
32.	Straight Withdrawal Fitting	8330	2
33.	Black Fuel Line - 3/8"	27004	3 ft
34.	3/8" Shear Nut	AN364-624A	2
35.	Fuel Pick Up Line - LH	KPFS0094-L	1
35.	Fuel Pick Up Line - RH	KPFS0094-R	1
36.	Coupler	AN910-1D	2
37.	Root Skin Stiffener	KPWI0574	10
38.	Cover Ring	KPWI0616	2

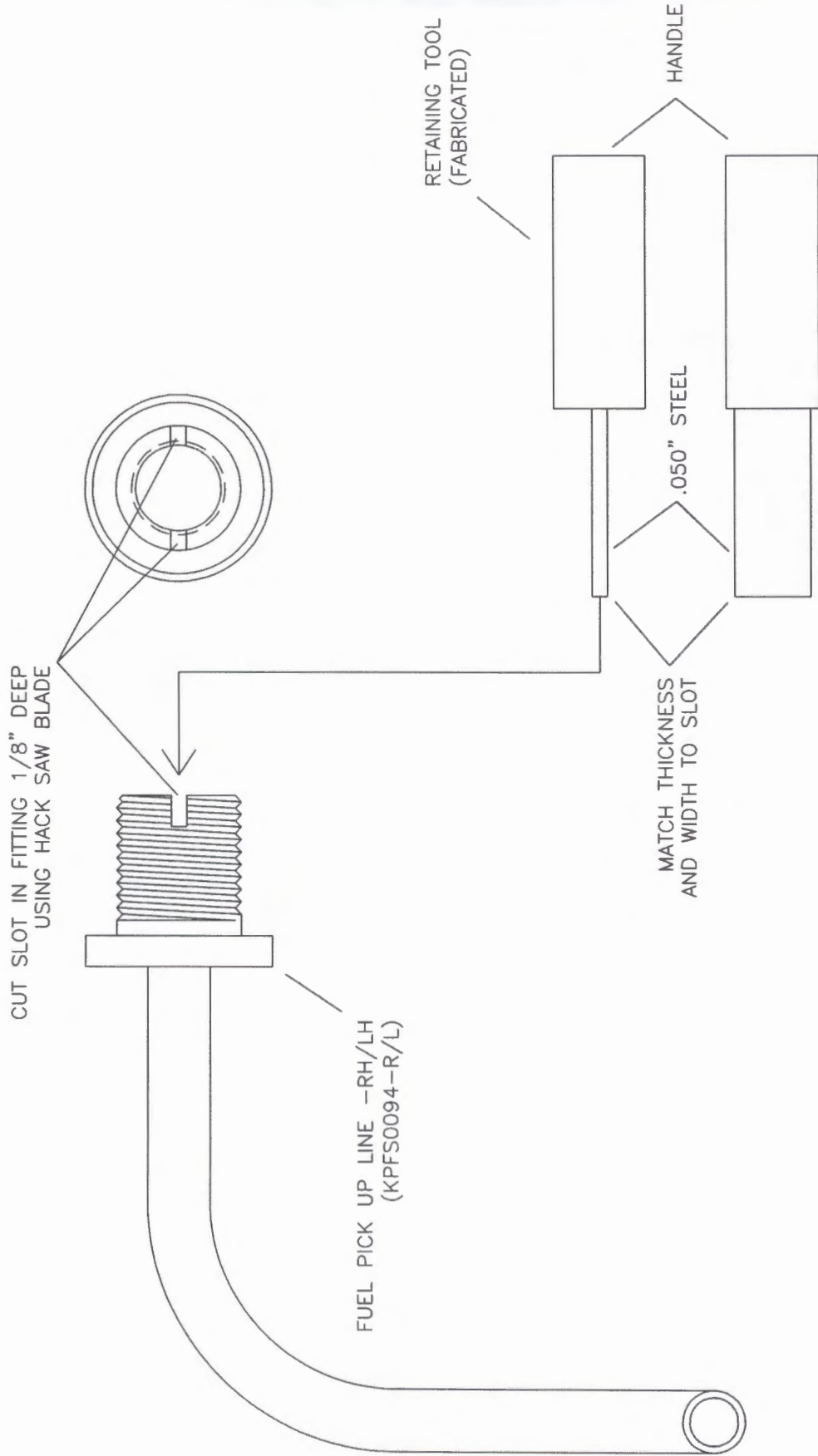
* Builder Modifies

** Builder Supplied



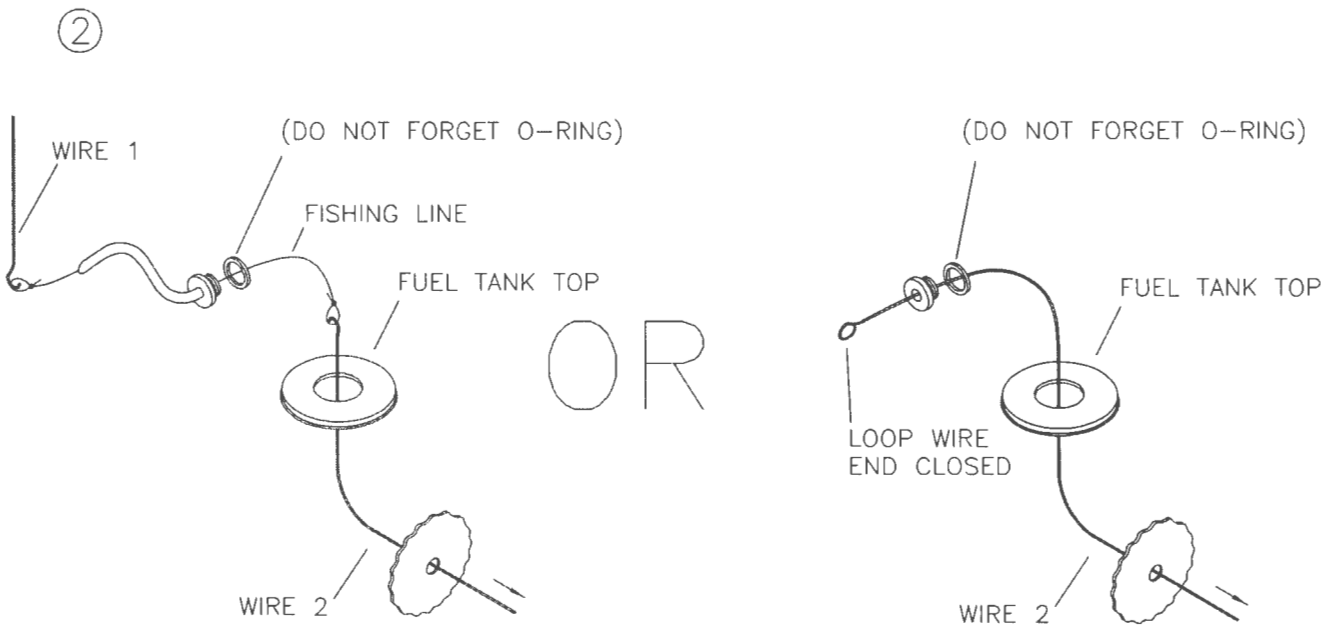
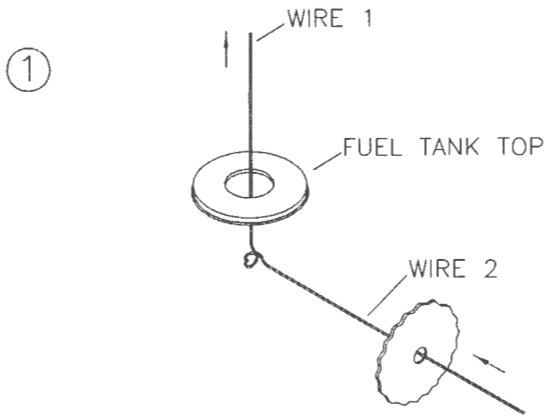
MD5540

RRR S-7S COURIER
WING FUEL TANK ASSEMBLY
FIGURE 05A-02



MD4823

RAMBS S-7S
FUEL PICK UP LINE MODIFICATION
FIGURE 05A-03

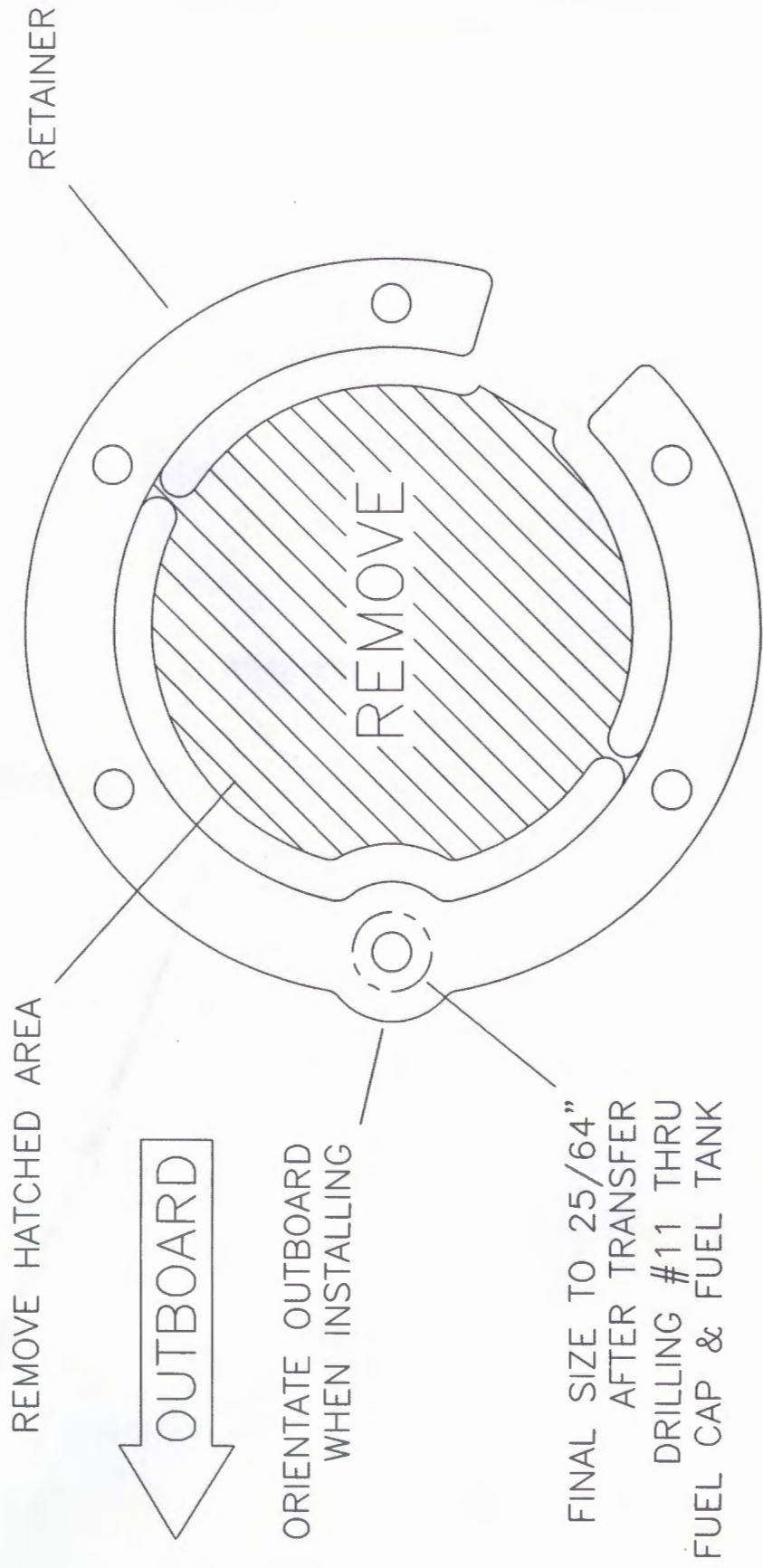


③ INSTALL RUBBER WASHER, STEEL WASHER AND NUT.

④ REMOVE FISHING LINE AND/OR WIRE.

RANS S-7S
FUEL TANK FITTING INSTALLATION
FIGURE 05A-04

MD4832



REMOVE HATCHED AREA

OUTBOARD

ORIENTATE OUTBOARD
WHEN INSTALLING

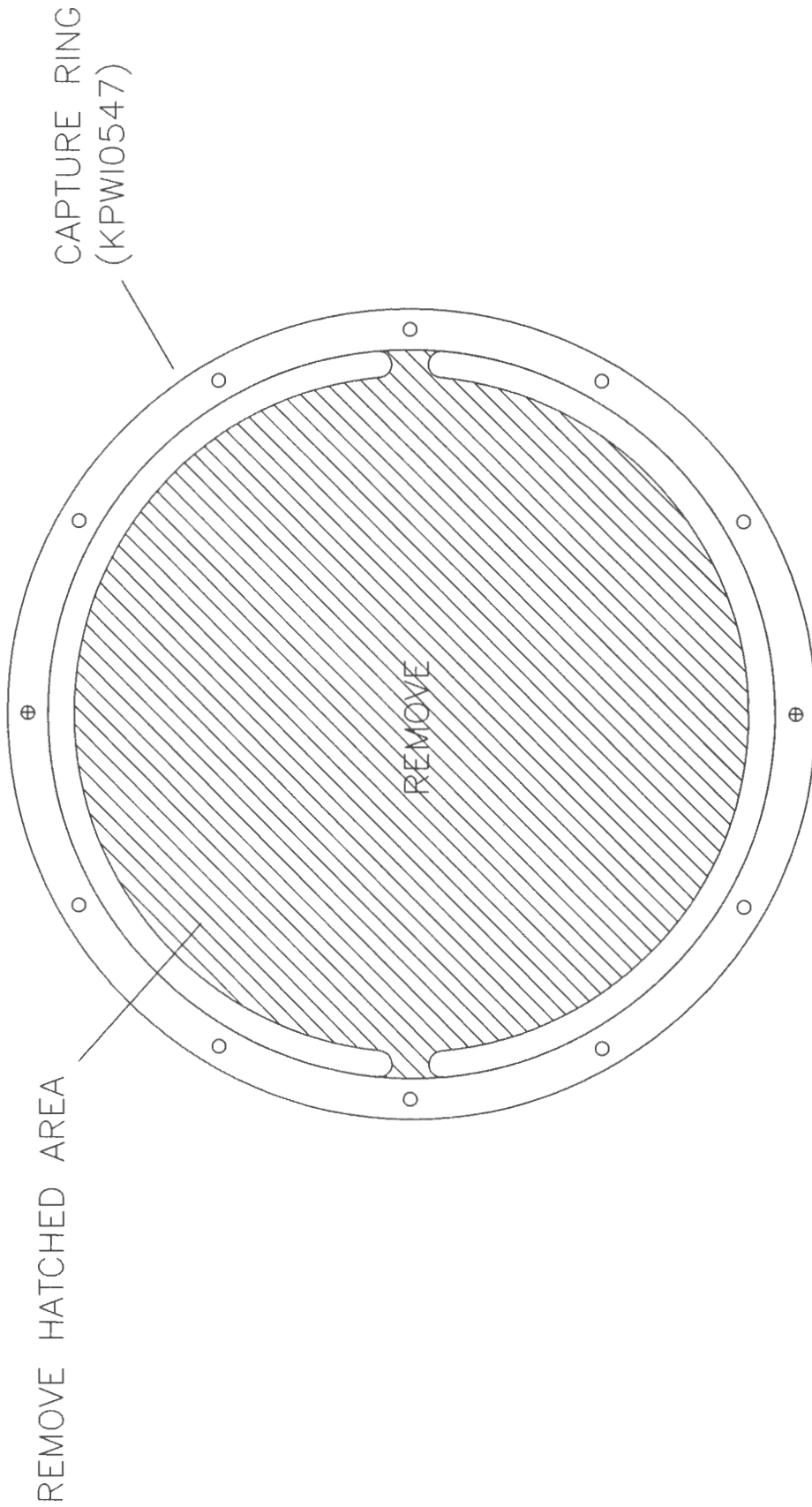
FINAL SIZE TO 25/64"
AFTER TRANSFER
DRILLING #11 THRU
FUEL CAP & FUEL TANK

RETAINER

REMOVE

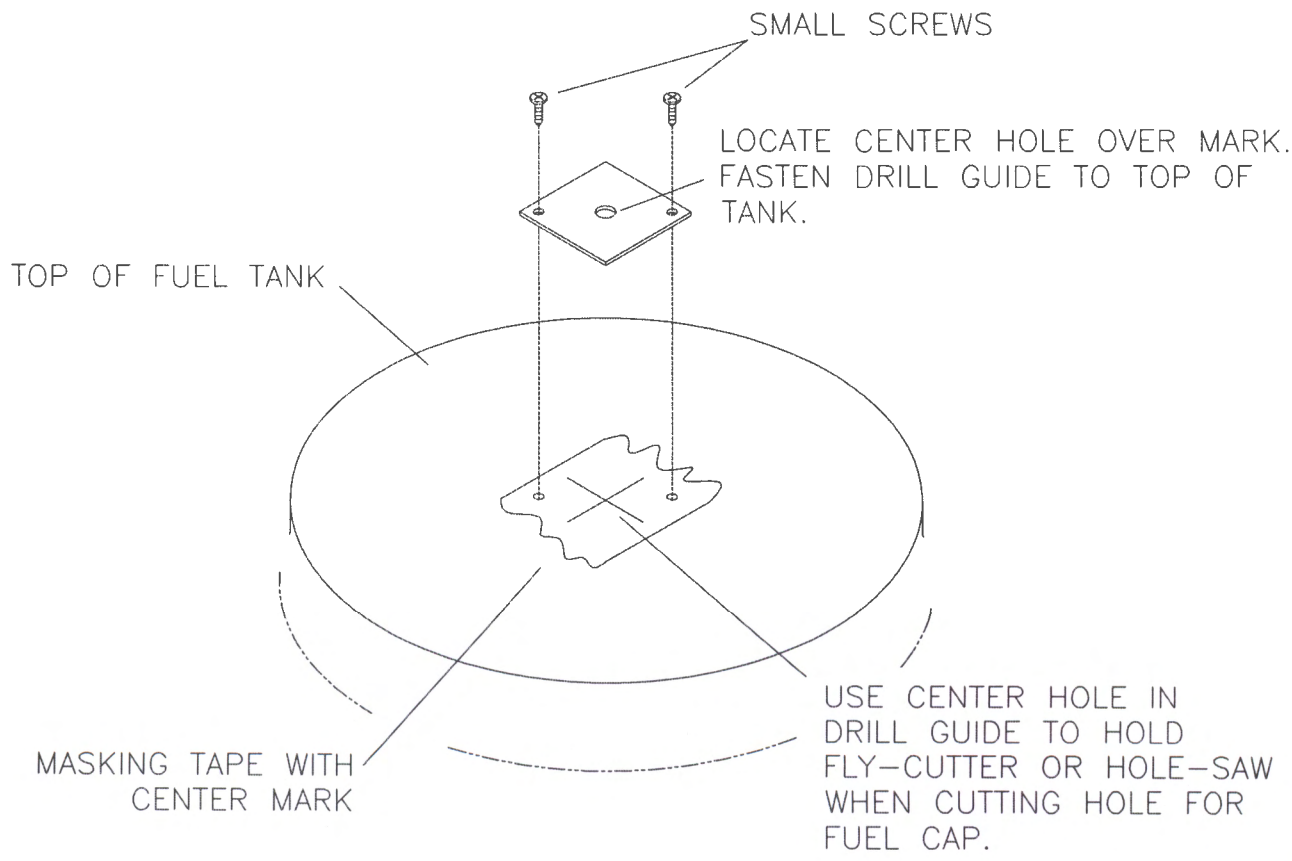
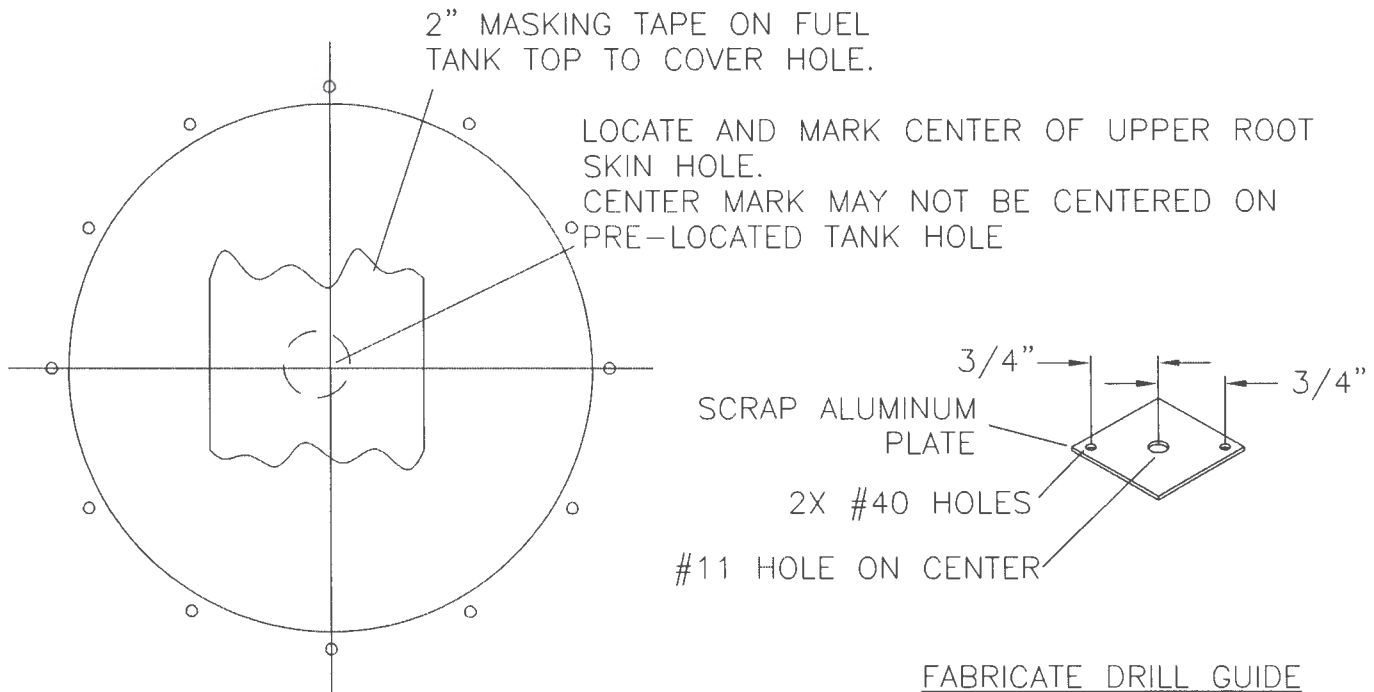
MD5549

RAMBS S-7S COURIER
RETAINER MODIFICATION
FIGURE 05A-14



MD5549

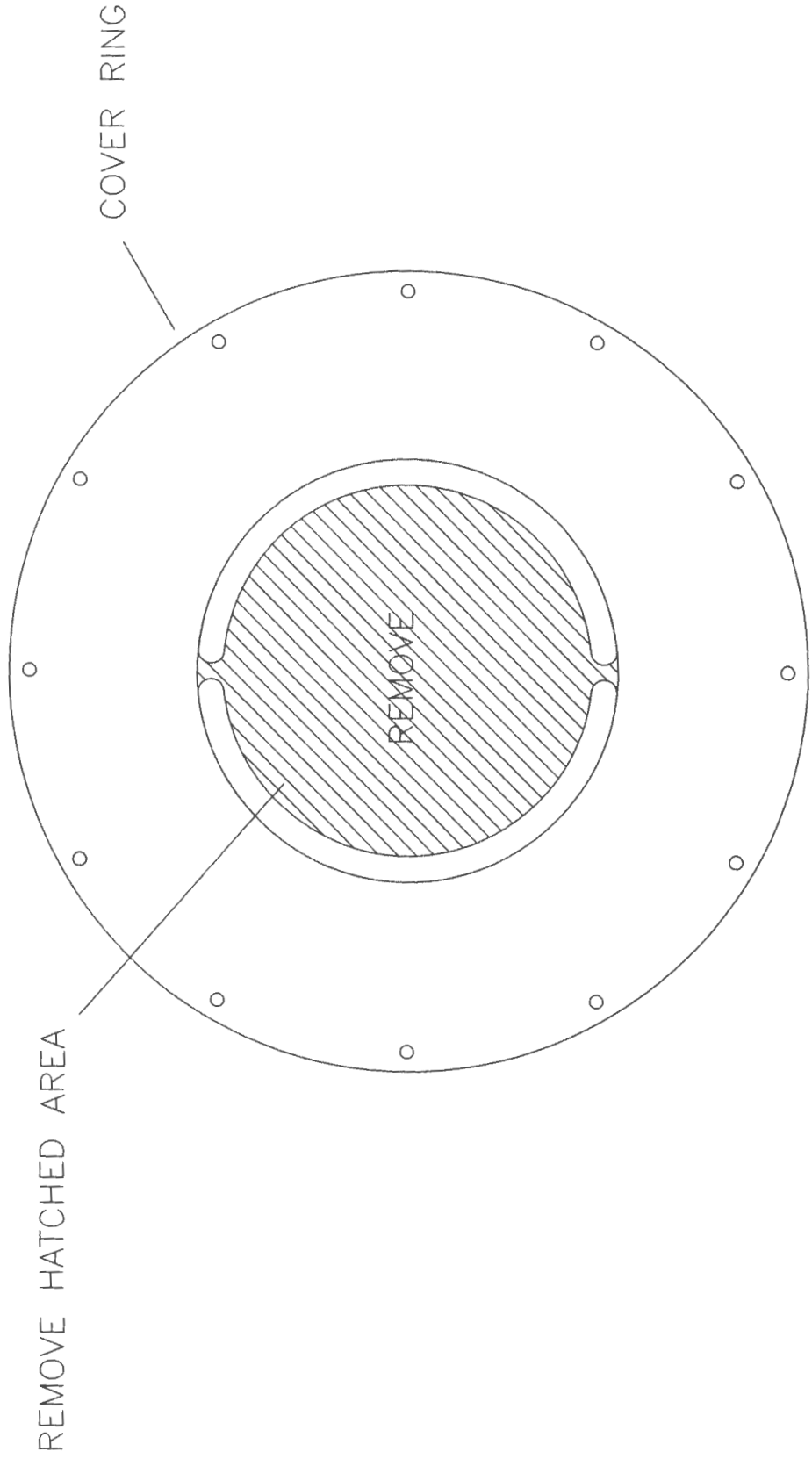
RAMS S-7S
CAPTURE RING MODIFICATION
FIGURE 05C-37



RANS S-7S COURIER
FUEL CAP HOLE PLACEMENT
FIGURE 05C-38

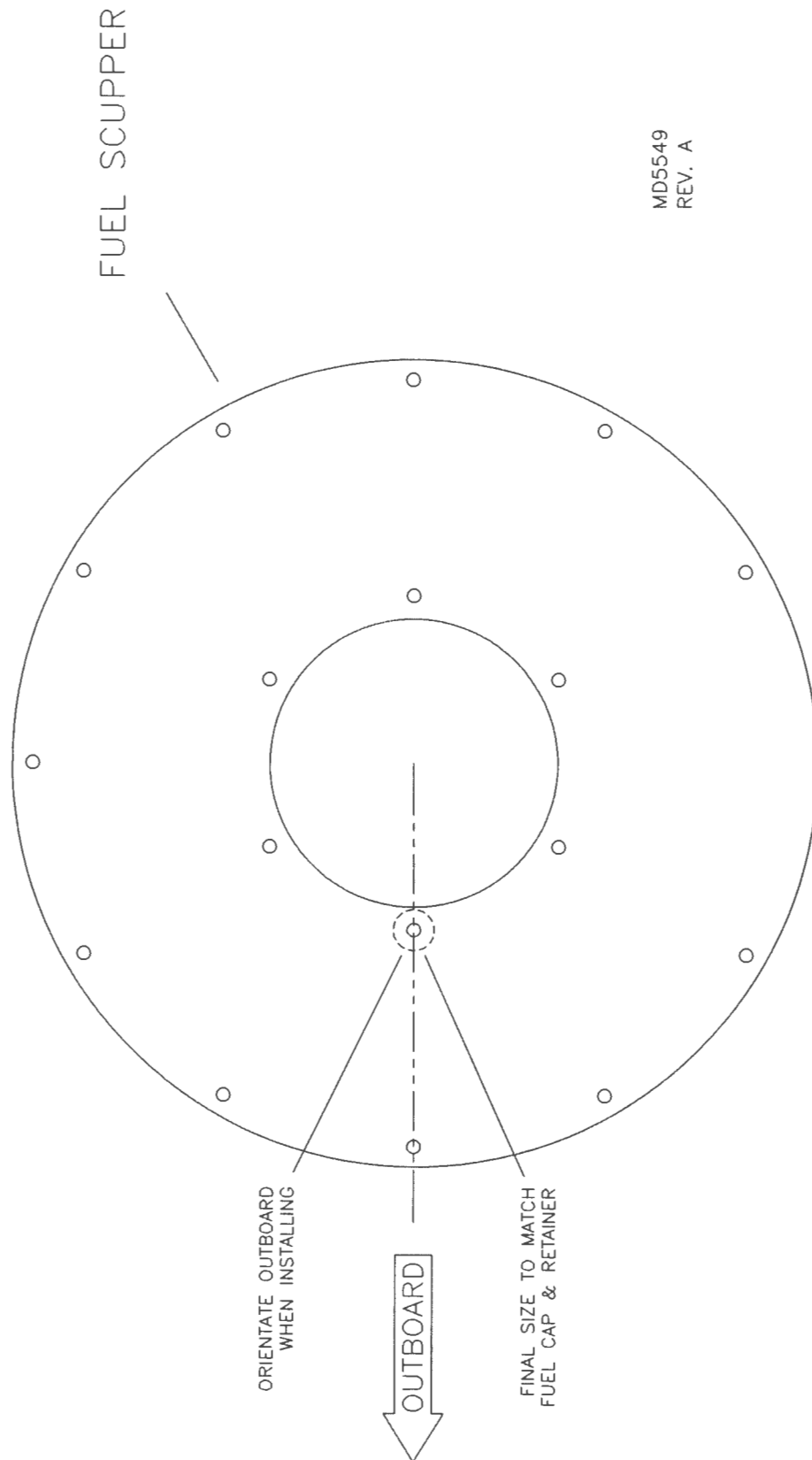
MD5560
 REV. A

07/28/2014



MD5549

RAMS S-7S
COVER RING MODIFICATION
FIGURE 05C-42



MD5549
REV. A

RPA S-7S COURIER
FUEL SCUPPER ORIENTATION
FIGURE 05C-42A