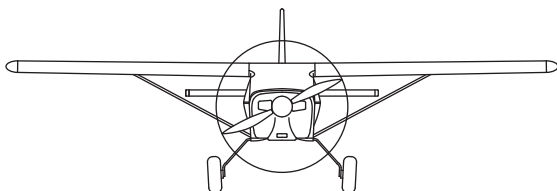
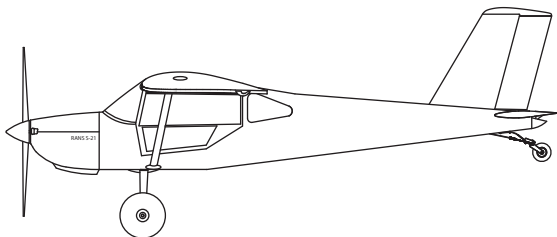
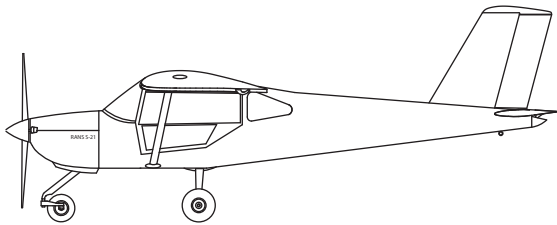
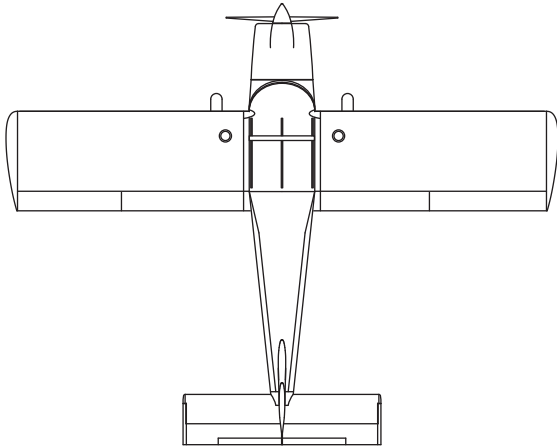


S-21 OUTBOUND

All metal, all purpose.



SPECS AND PERFORMANCE

SPECIFICATIONS	ROTAX 912 ULS	ROTAX 915 IS	TITAN x-340
Wing Span	28 ft.	28 ft.	28 ft.
Wing Area	141 sq. ft.	141 sq. ft.	141 sq. ft.
MAC	5.06 ft	5.06 ft	5.06 ft
Aspect	5.05	5.05	5.05
Length	22.41 ft.	22.41 ft.	22.41 ft.
Height Tailwheel	78"	78"	78"
Height Trike	102.65"	102.65"	102.65"
Cockpit Width	46.5 in.	46.5 in.	46.5 in.
Headroom	42 in.	42 in.	42 in.
Legroom	46 in.	46 in.	46 in.
Number of Seats	2	2	2
Doors	2	2	2
Landing Gear***	F/TDTK	F/TDTK	F/TDTK
Baggage Volume	24 cu. ft.	24 cu. ft.	24 cu. ft.
Baggage Capacity	80 lbs.	120 lbs.	180 lbs.
Fuel Capacity	45 gal. us.	50 gal. us.	50 gal. us.

POWER PLANT	ROTAX 912 ULS	ROTAX 915 IS	TITAN x-340
Output	100 hp	141 hp	180 hp
Oil Capacity	3 qt.	3 qt.	8 qt.
Coolant Capacity	2.5 qt.	3 qt.	n/a
Propeller Diameter	75 in.	75 in.	80 in.
Propeller Type	Gr. Adj.	Gr. Adj.	Gr. Adj.
Fuel G.P.H	5.5 @ 75%	7 @ 75%	8 @ 75%

WEIGHTS & LOADINGS	ROTAX 912 ULS	ROTAX 915 IS	TITAN x-340
Gross Weight	1320 lbs. (1600 lbs.*)	1320 lbs. (1800 lbs.*)	1320 lbs. (1800 lbs.*)
Empty Weight	820 lbs.	915 lbs.	985 lbs.
Useful Load	500 lbs. (780 lbs.*)	405 lbs. (885 lbs.*)	335 lbs. (815 lbs.*)
Wing Loading	9.36 lbs./ft ²	13.47 lbs./ft ²	13.47 lbs./ft ²
Power Loading	13.2 lbs./hp	12.76 lbs./hp	10.55 lbs./hp
Limit Loading	+6 /-2	+6 /-2	+6 /-2

PERFORMANCE	ROTAX 912 ULS	ROTAX 915 IS	TITAN x-340
Take Off Roll	350 ft.	315 ft.	325 ft.
Rate of Climb	850 fpm	1400 fpm	1500 fpm
Service Ceiling	12,500 ft.	20,000 ft.	14,000 ft.
Vc	120 mph	145 mph	155 mph
Vne	215 mph	215 mph	215 mph
Stall Clean	46 mph	50 mph	50 mph
Stall Flaps	38 mph	40 mph	40 mph
Roll Rate	100°/sec	100°/sec	100°/sec
Glide Ratio	9.5:1	9.5:1	9.5:1
Landing Roll	350 ft.	375 ft.	375 ft.
Endurance**	6.75 hrs.	6.6 hrs.	5 hrs.
Range	852 miles	957 miles	750 miles

* EAB (Experimental/Amateur-Built)

** Plus .5 hr. reserve

*** F/TDTK= Fixed, Convertible/ Taildragger or Trike